



**CONNECTIVITY SPECIAL: CONVERT YOUR
INSTRUMENTS TO BLUETOOTH® TECHNOLOGY AT
THE BEST PRICES**

Valid until 31.12.2018 - Prices exclude VAT

HexagonMI.com | TESAtechnology.com

WITH A VERY SMALL INVESTMENT YOU CAN CONVERT YOUR WORKSHOP OR CONTROL LABORATORY INSTRUMENTS TO BLUETOOTH® TECHNOLOGY!

ANY INSTRUMENT WITH AN OPTO-RS232, SUB-D RS232 OR TLC OUTPUT CAN BE EASILY UPGRADED WITH THE TESA CONNECTIVITY SOLUTION

The **TESA TLC-BLE** wireless Bluetooth® emitter allows users to connect measuring instruments to a computer.

Thanks to the free software **TESA DATA-VIEWER**, data can be easily collected, analysed and stored, avoiding transcription errors and ensuring perfect traceability.

With simple adaptors, all measuring instruments equipped with Opto-RS232, Sub-D RS232 or TESA Link Connector (TLC) output can be easily upgraded to the new TESA TLC-BLE Bluetooth® wireless emitter.



Watch the video!



TESA MICRO-HITE +M
p. 11

TESA DIGICO*
p. 8

TESA DATA-VIEWER software

TESA IMICRO CAPA*
p. 7

TESA TWIN-CAL IP67
p. 4

Part number	Designation	List price (€)
04760178	Cable adaptor OPTO-TLC	94
04760179	Cable adaptor SUB-D RS232-TLC	49
04760183	TESA TLC-BLE Starter Kit	74
04760184	TESA TLC-BLE Emitter	43
04760185	USB dongle for TESA TLC-BLE + 1,5m cable	31
TESA TLC-BLE Starter Kit contains:		
04760184	TESA TLC-BLE Emitter	
04760185	USB dongle for TESA TLC-BLE + 1,5m cable	

1x **USB dongle** can be used with 8 measuring instruments. It is not needed with Windows 10 (Release ≥1703, Creators Update) and integrated Bluetooth® 4.0 hardware on computer



Free download **TESA DATA-VIEWER** on [TESAtechnology.com](https://www.tesatechnology.com)

TESA instrument drivers included
 Software requirements Windows 7 / 8.1 / 10, 32 & 64-bit processor
 Hardware minimal requirements: Intel i5 or equivalent, 4 GB RAM, 100 MB HDD



TESA TWIN-T10



74€

TESA TLC-BLE Starter Kit



43€

TESA TLC-BLE Emitter



TESA μ-HITE p. 12



TESA-HITE Magna



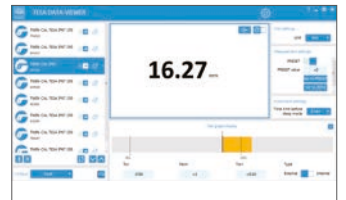
TESA MICROMASTER* p. 6



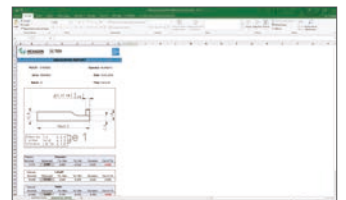
1. Equip your measuring instruments with Bluetooth® technology (replacing the TLC cap with the new TLC-BLE and an adaptor according to the device).



2. Measure and press button to transfer values via Bluetooth®.



3. TESA DATA-VIEWER software displays and manages data.



4. TESA DATA-VIEWER software can export data to processing software (STAT-EXPRESS, Q-DAS) or Excel.

*** OUR PRODUCTS HAVE A NEW LOOK!**

The quality and features remain the same, with a new harmonised design! The change will be gradual and it will take some months depending on stock availability

Visit our website to know the list of countries in which the TESA TLC-BLE wireless Bluetooth® emitter is approved.



TESA TWIN-CAL

Bidirectional communication via cable or wireless module



Part number	Designation	Measuring range (mm)	Thumb roller	Depth rod	List price (€)	Promo price (€)
00530094	TWIN-CAL	0 ÷ 150	✓	●	99	79
00530095	TWIN-CAL	0 ÷ 200	✓	■	156	125
00530096	TWIN-CAL	0 ÷ 300	✓	■	219	175
00530097	TWIN-CAL	0 ÷ 150	–	■	99	79
00530319	TWIN-CAL IP67	0 ÷ 150	–	■	159	119
00530320	TWIN-CAL IP67	0 ÷ 150	–	●	159	119
00530321	TWIN-CAL IP67	0 ÷ 150	✓	●	159	119
00530322	TWIN-CAL IP67	0 ÷ 200	✓	■	222	175
00530323	TWIN-CAL IP67	0 ÷ 300	✓	■	290	230

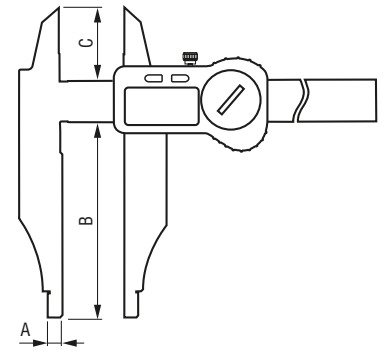


Accessories for wireless emission

Part number	Designation	List price (€)
04760184	TESA TLC-BLE Emitter	43

You can buy a single starter kit (the dongle can be used to connect up to 8 instruments)



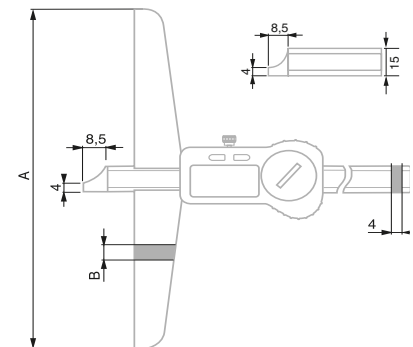


TESA TWIN-CAL

Models with rounded measuring faces for internal dimensions and knife-edge jaws for external dimensions



Part number	Measuring range (mm)	A (mm)	B (mm)	C (mm)	List price (€)	Promo price (€)
00530431	0 ÷ 200	5	80	30	392	295
00530433	0 ÷ 300	5	90	37	471	355
00530434	0 ÷ 500	10	150	60	782	585



TESA TWIN-CAL

Models with short cut measuring face



Part number	Measuring range (mm)	A (mm)	B (mm)	List price (€)	Promo price (€)
00530441	0 ÷ 200	100	8	417	315
00530443	0 ÷ 300	150	8	462	345
00530444	0 ÷ 500	150	8	571	430





TESA MICROMASTER IP54

Large easy-to-read digital display



Part number	Designation	Measuring range (mm)	SCS certificate	List price (€)	Promo price (€)
06030030	MICROMASTER RS IP54	0 ÷ 30	✓	351	280
06030031	MICROMASTER RS IP54	25 ÷ 50	✓	445	355
06030032	MICROMASTER RS IP54	50 ÷ 75	✓	528	420
06030033	MICROMASTER RS IP54	75 ÷ 100	✓	584	465
06030034	MICROMASTER with Small Measuring Faces	0 ÷ 30	✓	686	550
06030081	MICROMASTER with Two Spherical Measuring Faces	0 ÷ 25	-	615	490



Accessories for wireless emission

Part number	Designation	List price (€)
04760178	Cable adaptor OPTO-TLC	94
04760184	TESA TLC-BLE Emitter	43

You can buy a single starter kit (the dongle can be used to connect up to 8 instruments)





865€

06130114

TESA IMICRO CAPA μ SYSTEM

No influence of temperature variation on the measurement



Part number	Measuring range (mm)	Resolution (mm)	Maximum permissible errors (μm)	Repeatability limit (μm)	List price (€)	Promo price (€)
06130101	3,5 ÷ 4	0,001	4	4	1292	995
06130102	4 ÷ 4,5	0,001	4	4	1292	995
06130103	4,5 ÷ 5,5	0,001	4	4	1292	995
06130104	5,5 ÷ 6,5	0,001	4	4	1292	995
06130105	6 ÷ 8	0,001	4	4	1044	804
06130106	8 ÷ 10	0,001	4	4	1052	810
06130107	10 ÷ 12	0,001	4	4	1062	818
06130108	11 ÷ 14	0,001	4	4	1066	821
06130109	14 ÷ 17	0,001	4	4	1072	825
06130110	17 ÷ 20	0,001	4	4	1078	830
06130111	20 ÷ 25	0,001	4	4	1084	835
06130112	25 ÷ 30	0,001	4	4	1096	844
06130113	30 ÷ 35	0,001	4	4	1112	856
06130114	35 ÷ 40	0,001	4	4	1124	865
06130115	40 ÷ 50	0,001	4	4	1164	896
06130116	50 ÷ 60	0,001	5	5	1183	911
06130117	60 ÷ 70	0,001	5	5	1217	937
06130118	70 ÷ 80	0,001	5	5	1241	956
06130119	80 ÷ 90	0,001	5	5	1267	976
06130120	90 ÷ 100	0,001	5	5	1292	995



43€

04760184



94€

04760178

Accessories for wireless emission

Part number	Designation	List price (€)
04760178	Cable adaptor OPTO-TLC	94
04760184	TESA TLC-BLE Emitter	43

You can buy a single starter kit (the dongle can be used to connect up to 8 instruments)



TESA DIGICO

Dimensions, graduation and tolerance markers of a mechanical dial gauge



355€

Part number	Designation	Rotating dial	Measuring range (mm)	Numerical scale interval (mm)	List price (€)	Promo price (€)
01930230	DIGICO 205 MI	–	12,5	0,01	259	210
01930231	DIGICO 305 MI	–	12,5	0,001	346	275
01930240	DIGICO 405 MI – Tolerances	●	12,5	0,01	304	245
01930241	DIGICO 410 MI – Tolerances	●	25	0,01	494	395
01930256	DIGICO 605 MI – Tolerances and memorisation	●	12,5	0,001	444	355
01930257	DIGICO 610 MI – Tolerances and memorisation	●	25	0,001	533	425



Accessories for wireless emission

Part number	Designation	List price (€)
04760178	Cable adaptor OPTO-TLC	94
04760184	TESA TLC-BLE Emitter	43

You can buy a single starter kit (the dongle can be used to connect up to 8 instruments)



MEASURING SUPPORTS

Supports characterised by their excellent stability and rigidity

Part number	Designation	List price (€)	Promo price (€)
01639023	INTERAPID magnetic support with articulated arm, H = 390 mm*	333	265
01639035	Table measuring support with granite, column Ø 20*	391	295

* Measuring supports are delivered without measuring instrument.



265€

295€

01639023

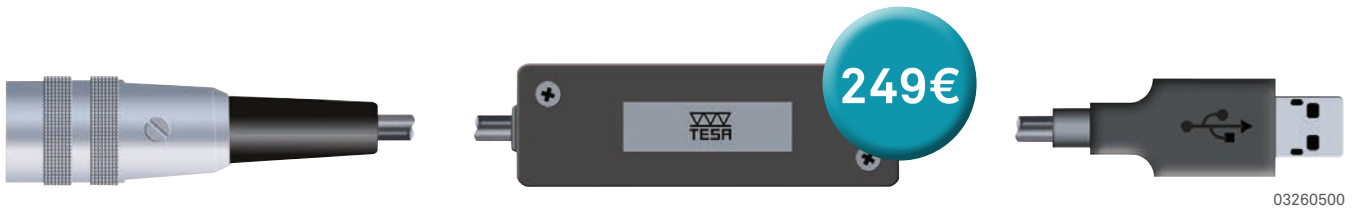
01639035



ELECTRONIC USB PROBES

Using an interface housing becomes redundant: direct connection to USB port of PC. TSIP software included

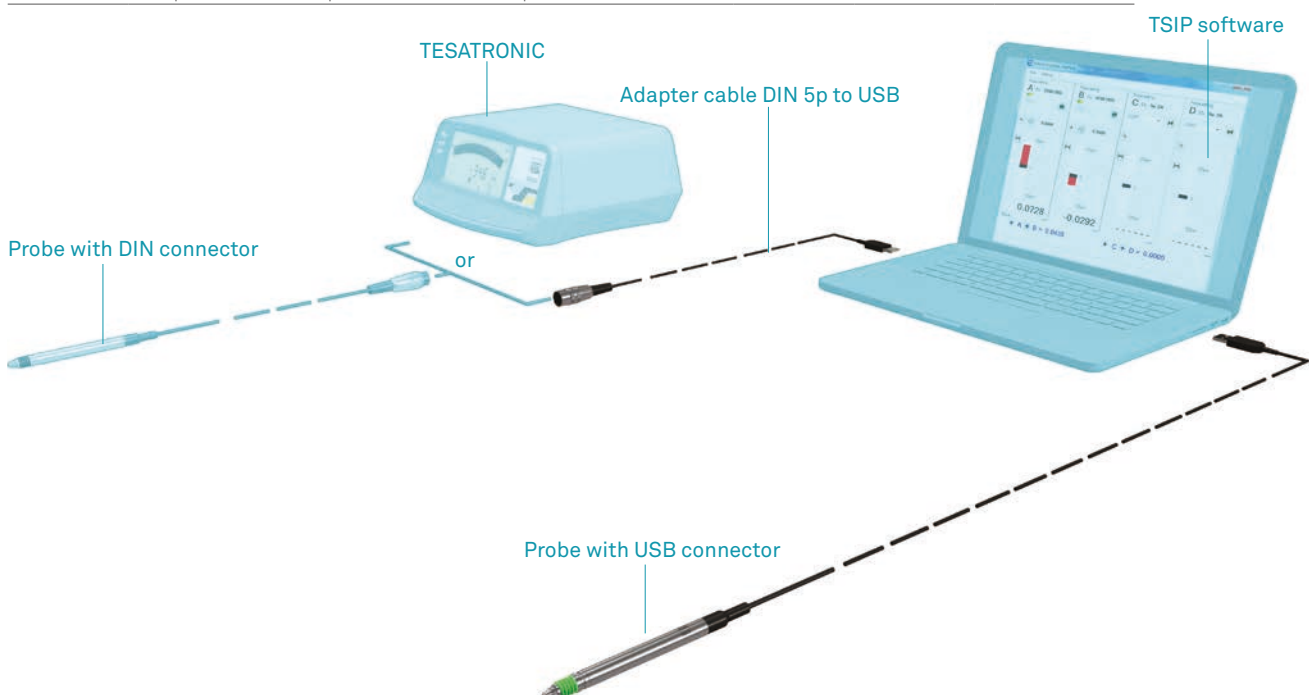
Part number	Designation	Measuring range (mm)	Maximum permissible errors (μm)	Repeatability limit (μm)	Degree of protection	List price (€)	Promo price (€)
03230200	GTL 21 USB	± 2	0,4 + 0,8 · L	0,1	IP65	587	380
03230201	GTL 22 USB	± 2	0,4 + 0,8 · L	0,1	IP65	601	390
03230202	GTL 222 USB	$\pm 1,5$	0,4 + 0,8 · L	0,1	IP65	713	465
03230204	GT 61 USB	± 5	0,8 + 0,8 · L	0,24	IP65	725	470
03230205	GT 62 USB	± 5	0,8 + 0,8 · L	0,24	IP65	737	480
03230206	GT 622 USB	± 5	0,8 + 0,8 · L	0,24	IP65	788	510



ADAPTER CABLES DIN 5P CONNECTOR TO USB TYPE A CONNECTOR

Allow the connection of a standard TESA inductive probe to a USB port of a PC, compatible with TSIP software

Part number	Designation	Measuring range (mm)	List price (€)	Promo price (€)
03260500	Adapter cable DIN 5p to USB for ± 2 mm probes and GT 31	± 2	383	249
03260501	Adapter cable DIN 5p to USB for ± 5 mm probes	± 5	383	249



BEST PRICE!
-30%



4295€

3899€

TESA-HITE MOTORISED HEIGHT GAUGE

Easy-to-use height gauge designed for fast and reliable 1D and 2D measurement... Now connectable with Bluetooth®



SCS certificate included



00730046

00730045

Part number	Designation	Max. errors (µm)*	Repeatability (µm)	List price (€)	Promo price (€)
00730045	TESA-HITE +M 400	2,5 + 3 L	Flat: < 1, bore: <2	5611	3899
00730046	TESA-HITE +M 700	2,5 + 3 L	Flat: < 1, bore: <2	6135	4295
00730057	TESA-HITE +M 400 + printer	2,5 + 3 L	Flat: < 1, bore: <2	5990	4199
00730058	TESA-HITE +M 700 + printer	2,5 + 3 L	Flat: < 1, bore: <2	6526	4595

* L in m



43€

49€

04760184

04760179

Accessories for wireless emission

Part number	Designation	List price (€)
04760179	Cable adaptor SUB-D RS232-TLC	49
04760184	TESA TLC-BLE Emitter	43

You can buy a single starter kit (the dongle can be used to connect up to 8 instruments)

TESA MICRO-HITE

Motorised or manual – the ultimate reference



SCS certificate included



Part number	Designation	Maximum permissible errors (µm)*	Repeatability limit (µm)	List price (€)
00730073	MICRO-HITE 350 manual	2+2L/1000	Flat: < 1; bore: <1	5700
00730074	MICRO-HITE 600 manual	2+2L/1000	Flat: < 1; bore: <1	6200
00730075	MICRO-HITE 900 manual	2+2L/1000	Flat: < 1; bore: <1	8900
00730076	MICRO-HITE 350F manual, fine adjustment	2+2L/1000	Flat: < 1; bore: <1	6200
00730077	MICRO-HITE 600F manual, fine adjustment	2+2L/1000	Flat: < 1; bore: <1	6700
00730078	MICRO-HITE 900F manual, fine adjustment	2+2L/1000	Flat: < 1; bore: <1	9400
00730079	MICRO-HITE+M 350 motorised	1,8+2L/1000	Flat: < 0,5; bore: <1	5700
00730080	MICRO-HITE+M 600 motorised	1,8+2L/1000	Flat: < 0,5; bore: <1	6200
00730081	MICRO-HITE+M 900 motorised	1,8+2L/1000	Flat: < 0,5; bore: <1	8900

* L in mm

BUY A TESA MICRO-HITE AND GET A TLC-BLE STARTER KIT FOR FREE!



Watch the video!



TESA μ -HITE

The μ ltra compact turnkey solution for the product line

Need a "turnkey solution"?

With its application range of 100 mm, this measuring station for workshops and laboratories is particularly suitable for measuring small parts.

Installed quickly, its high accuracy (1 μ m) not only matches the most powerful height gauges, but also 1D probes, which are often expensive to install and less flexible in terms of application.

HIGH ACCURACY



SCS certificate included



00730503

Part number	Designation	Maximum permissible errors (μ m)	Repeatability limit (μ m)	List price (€)
00730503	TESA μ -HITE	Axial: 1 - offset: 2	Axial: 0,5 - offset: 1	4120



04760184

Accessories for wireless emission

Part number	Designation	List price (€)
04760184	TESA TLC-BLE Emitter	43

You can buy a single starter kit (the dongle can be used to connect up to 8 instruments)



We reserve the right to make changes to our products, especially due to technical improvements and further developments. All illustrations and technical data are therefore without guarantee. All prices shown are non-binding price recommendations.